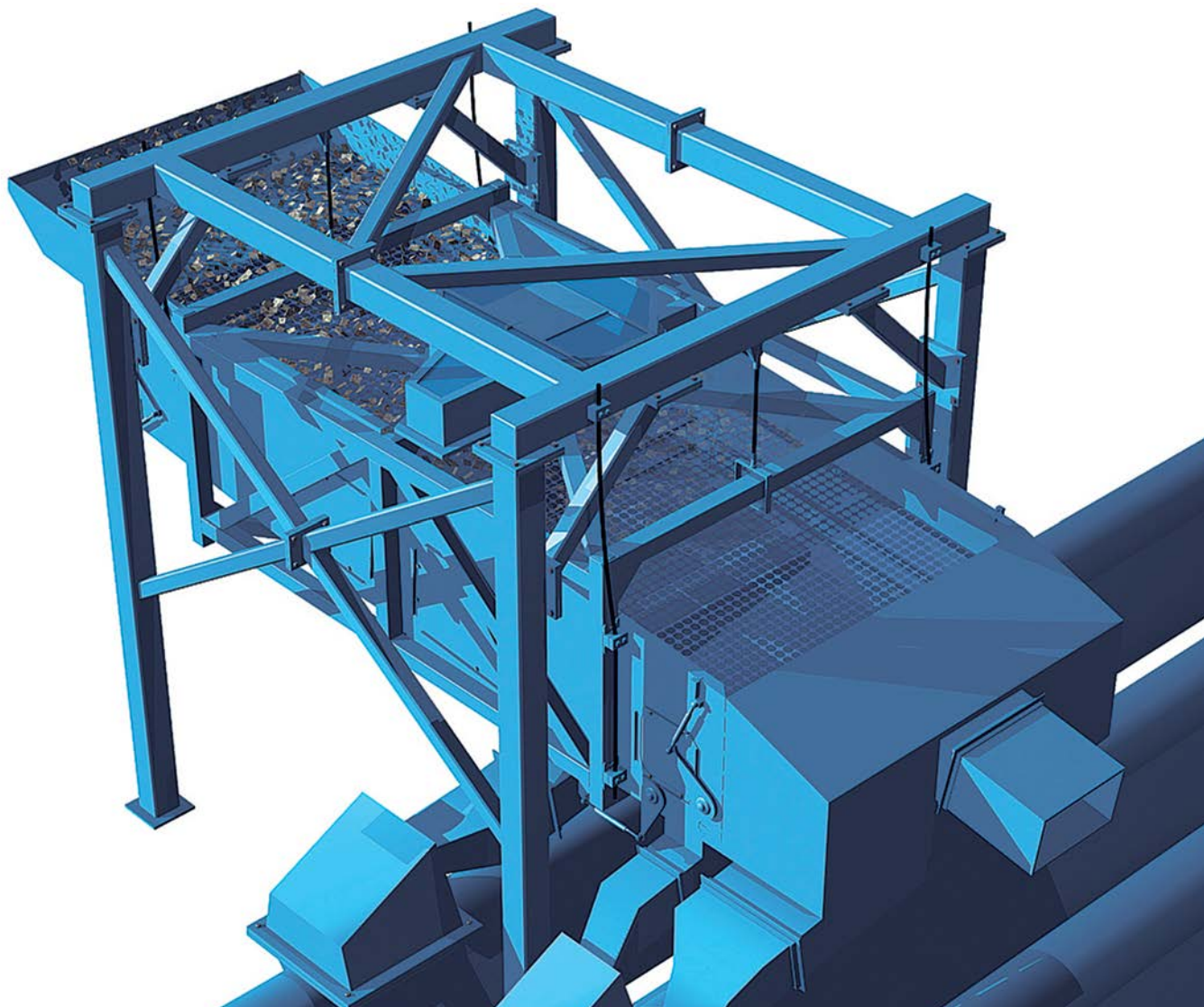




FREE-SWINGING
CHIP SCREENS

BRUKS *Siwertell*



FREE-SWINGING CHIP SCREENS

BRUKS-SIWERTELL.COM



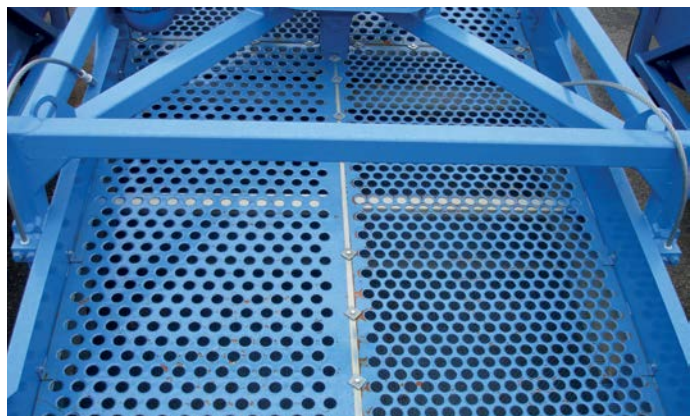
Installation with 4 x SH11-4



Installation with 3 x SH11-4



Outfeed chutes



Perforated screen plate



Spring steel wire mesh



Tensioning
of wire mesh

■ PRODUCT DESCRIPTION

Free-swinging chip screens come in several sizes for separating up to four fractions. Exchangeable screen decks with decreasing hole sizes ensure efficient screening and maximum economic yield from by-products.

■ DESIGN

A screen box suspended by steel cables contains two or three screen decks with decreasing hole sizes for maximum screening effect.

The top deck consists of perforated screen plates, other decks usually of wire mesh, which ensures superior separation of fines and pin-chips.

■ ACCESSORIES

The standard suspension cables with upper cable mounting plates can be supplemented with a suspension frame or a custom-made screen stand. A rotation monitor can be fitted.

■ PRODUCT ADVANTAGES

- Large-amplitude, high-rpm screening motion, generated by a motordriven, rotating counterweight.
- All screen decks are exchangeable and come with a variety of perforations adapted to individual requirements.
- High net screen weight reduces sensitivity to high volumes and loads.

■ "SIZER EFFECT"

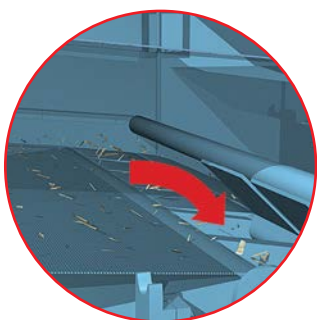
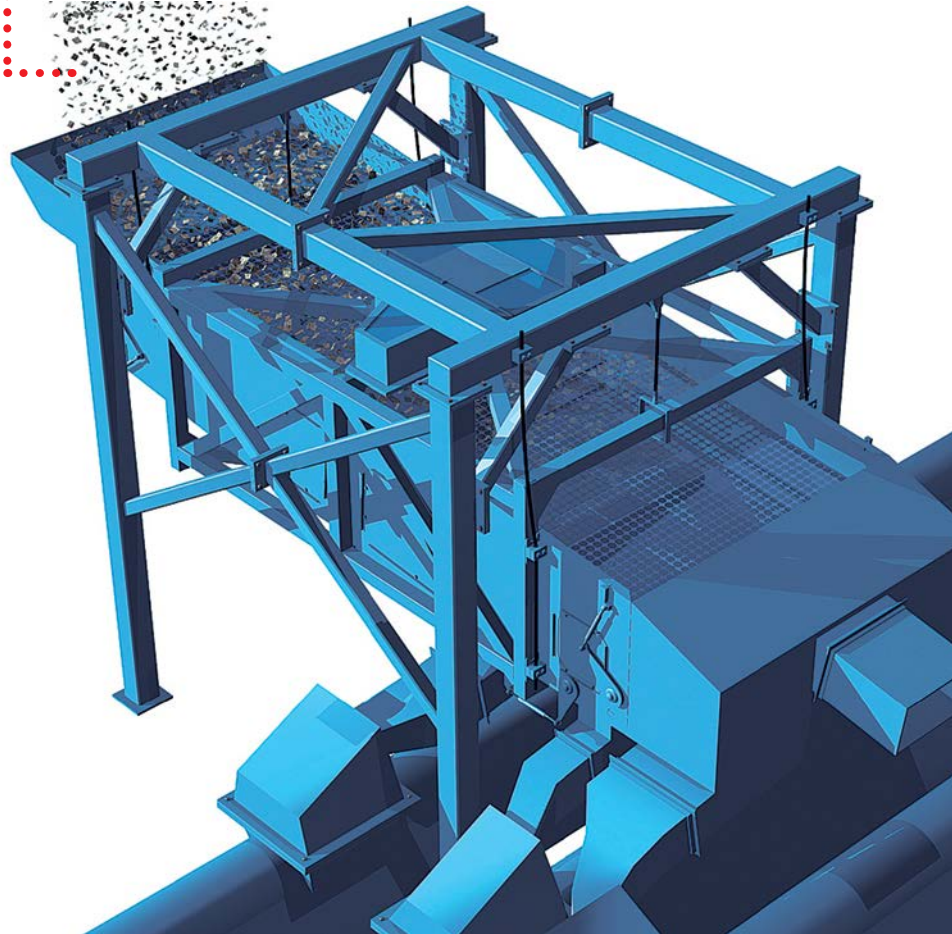
The screen decks have a stepwise decreasing inclination, which leads to decreasing transport speed. This design enables the combination of high capacities with high screening accuracy.

	SH4-3	SH5-3	SH5-4	SH8-3	SH11-3	SH11-4
Average capacity, cu.m./hr	30	60	60	120	250	250
Momentary capacity, cu.m./hr.	60	100	100	200	300	300
Screening area, sq.m.	3.8	5	5	7.6	11	11
Net weight, kg	1000	1600	1800	3200	4000	4500
Number of fractions	3	3	4	3	3	4



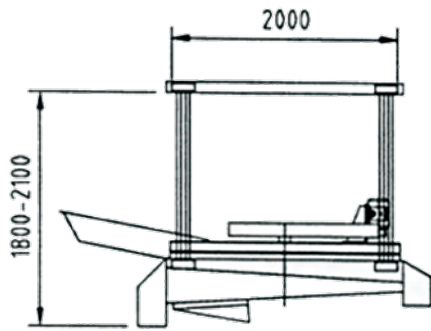
Certain screens can be fitted with three screen decks when a fourth fraction is required.

The chips arrive on an inlet chute designed to spread the material over the entire width of the screen and calm down the material flow.

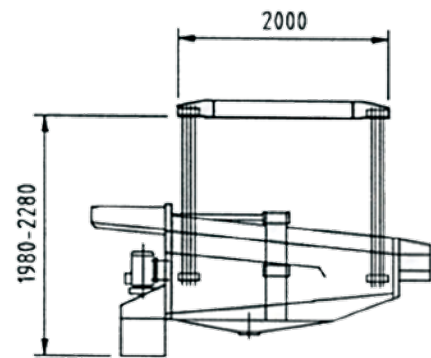


SH 11/4 features an ingenious control mechanism making it easy to vary the proportion of pin-chips in the accept chips, or to discharge a separate fraction such as pin-chips.

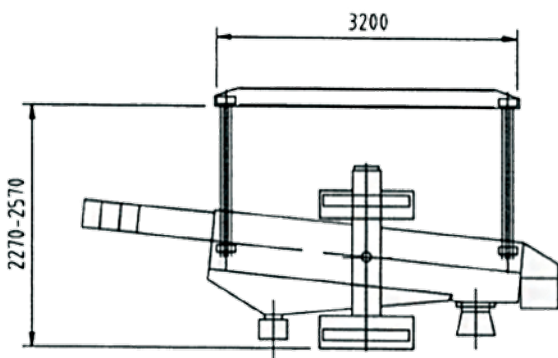
Screen	Rpm	Stroke [mm]	Motor [kW]	Chips screening area m ² net	Pin chips screening area m ² net	Fines screening area m ² net	Average capacity (fed-in material) m ³ chips/hr	Momentary peak capacity (fed-in material) m ³ chips/hr	Maximum capacity for fines separation m ³ fines/hr	Vibrating weight [kg]
SH4-3	220	60	2,2	3,8	–	3,4	30	60	10	1000
SH5-3	230	60	4	5	–	3,1	60	100	12	1600
SH5-4	230	60	4	5	3,1	2,4	60	100	12	1700
SH8-3	230	70	5,5	7,6	–	6,4	120	200	25	3200
SH11-3	230	65	7,5	11	–	11	250	300	50	4000
SH11-4	230	65	7,5	11	11	11	250	300	50	4200



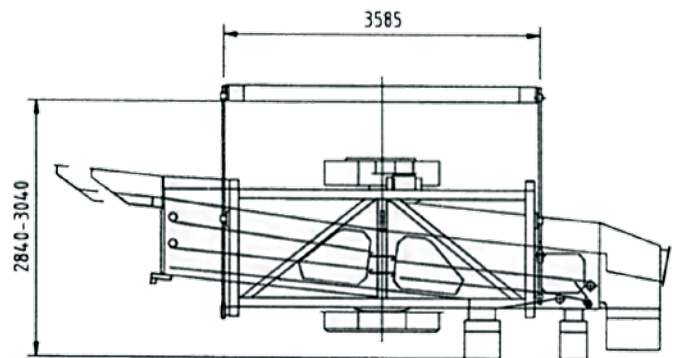
SH4-3



SH5-3



SH8-3



SH11-3

ACTING WORLDWIDE FOR YOU

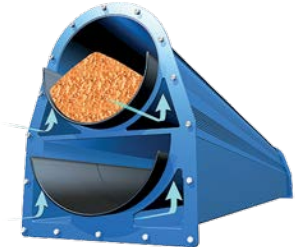
We are one of the world's leading manufacturers for the pulp and paper, the chipboard, the recycling industry as well as for the disposal of waste wood in the sawmill industry.



CHIPPING



MILLING



CONVEYING



SCREENING



WOOD RESIDUE PROCESSING



STORING

BRUKS KLÖCKNER GMBH

Grabenstr. 1
57647 Hirtscheid
GERMANY
☎ +49 2661 28 0
✉ sales.de@bruks.com

BRUKS SIWERTELL INC.

5975 Shiloh Road- Suite 109
Alpharette, GA 30005
USA
☎ +1 770 849 0100 Ext. 109
✉ sales@bruks.com

BRUKS AB

Västergatan 215
821 61 Arbrå
SWEDEN
☎ +46 278 642500
✉ info@bruks.com



Visit our website:
BRUKS-SIWERTELL.COM