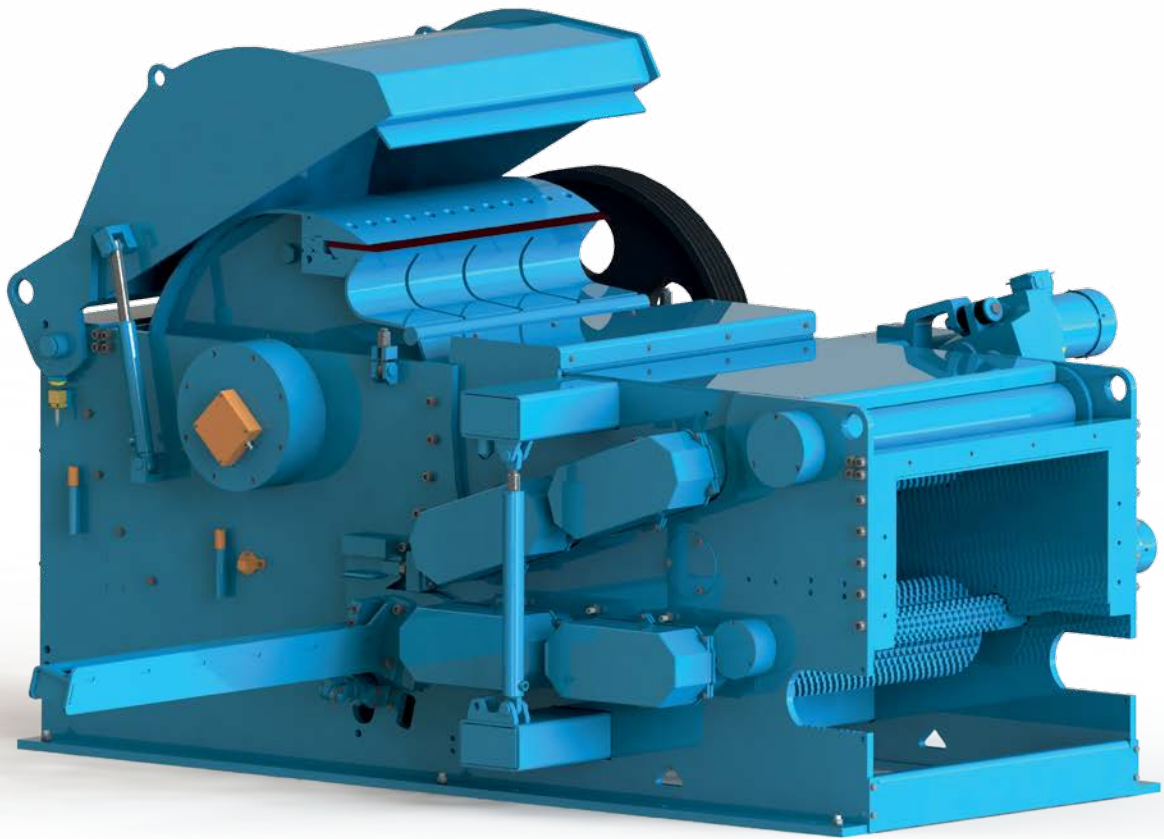




DRUM CHIPPER

BRUKS *Siwertell*



SCAN CODE
AND EXPERIENCE OUR
DRUM CHIPPER IN 3 D



Download the free 3DQR-App for Android/iOS.

DRUM CHIPPER

BRUKS-SIWERTELL.COM



■ PRODUCT DESCRIPTION

Machine opening, infeed speed, number of knives, drum speed as well as screen perforation according to customer requirements. Machine can either be serviced from right or left side. Solid and sturdy design with proven track record for all kinds of soft and hardwood applications.

EASY AND QUICK ACCES TO COMPONENTS REQUIRING REGULAR MAINTENANCE.



■ PRODUCT ADVANTAGES

- Sturdy construction
- High quality chips from different infeed materials
- Chip sizes tailor-made for individual applications (2–200 mm)
- Variety of different sizes and models for various applications
- High capacities
- Low maintenance costs

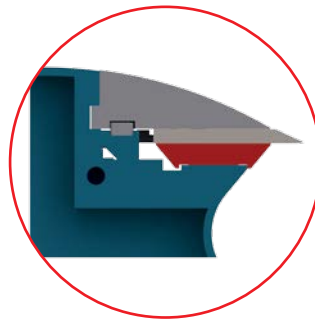
■ APPLICATIONS

Sawmill industry
Veneer and plywood industry
Wood based panel industry
Pellet or briquette industry
Biomass power stations



CLAMPING PLATE ROTOR

Clamping plate secured in rotor body for quick, easy and safe knife change.



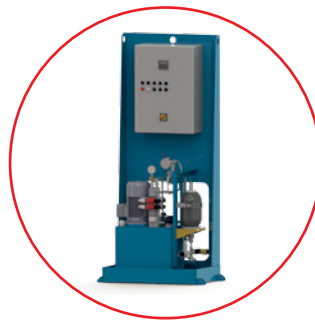
WEAR PLATES ROTOR

Replaceable and turnable wear plates underneath chipping knives to reduce wear in the chip pockets.



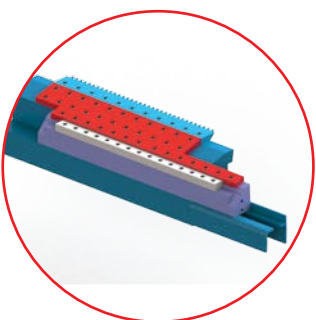
SERVICE PLATFORM

For easy and safe access and knife change.



OPERATING UNIT

Operating unit for safety- and maintenance functions.



WEAR PLATES ON COUNTER KNIFE

Bolted and replaceable wear plates on counter knife holder and anvil (partly extractable).



INFEED ROLLER SYSTEM

Infeed system with lower and upper infeed rollers designed for self-lifting up to max. infeed height to secure even and continuous feed to the cutting system.

| Type | Infeed width [mm] | Rotor ϕ [mm] | Infeed rollers [pcs] | Motor power [kW] |
|--------------|----------------------|-------------------|----------------------|------------------|
| DH 100 | 300, 500 | 300 | 2 | 18,5– 37 |
| DH 120 | 400, 500, 650 | 450 | 2 | 22– 55 |
| DH-V 120/250 | 650 | 450 | 3 | 22– 55 |
| DH 150 | 400, 500, 650 | 500 | 2 | 30– 75 |
| DH 200 | 400, 500, 650 | 580 | 2 | 55– 132 |
| DH-V 200/300 | 650, 800 | 580 | 3 | 55– 132 |
| DH 180 | 540 | 600 | 2 | 45– 75 |
| DH 240 | 500, 650, 800 | 700 | 4 | 55– 132 |
| DH-V 240/350 | 650, 800 | 700 | 5 | 55– 132 |
| DH 365 | 560, 825 | 800 | 6 | 55– 2x132 |
| DH 300 | 650, 800 | 1000 | 6 | 110– 250 |
| DH 300(400) | 800, 1000 | 1000 | 8 | 110– 250 |
| DH-V 300/400 | 800, 1000, 1200 | 1000 | 5 | 110– 250 |
| DH 400 | 650, 800, 1000, 1200 | 1300 | 8 | 160– 500 |
| DH 400(550) | 1000, 1200 | 1300 | 10 | 160– 500 |
| DH 500 | 800, 1000, 1200 | 1600 | 11 | 315– 630 |
| DH 500(700) | 1000, 1200 | 1600 | 12 | 315– 630 |
| DH 700 | 1000, 1200, 1450 | 2000 | 13 | 630–1500 |
| DH 850 | 1200, 1450 | 2000 | 15 | 630–1500 |
| DH 1000 | 1200, 1450 | 2000 | 15 | 630–1500 |
| DH 1050 | 1450 | 2400 | 16 | 1250–2500 |
| DH 1200 | 1450 | 2800 | 18 | 1250–2500 |

ACTING WORLDWIDE FOR YOU

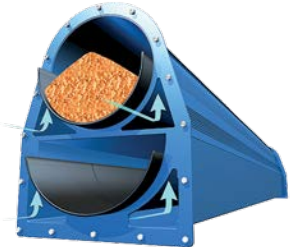
We are one of the world's leading manufacturers for the pulp and paper, the chipboard, the recycling industry as well as for the disposal of waste wood in the sawmill industry.



CHIPPING



MILLING



CONVEYING



SCREENING



WOOD RESIDUE PROCESSING



STORING

BRUKS KLÖCKNER GMBH

Grabenstr. 1
57647 Hirtscheid
GERMANY
☎ +49 2661 28 0
✉ sales.de@bruks.com

BRUKS SIWERTELL INC.

5975 Shiloh Road- Suite 109
Alpharette, GA 30005
USA
☎ +1 770 849 0100 Ext. 109
✉ sales@bruks.com

BRUKS AB

Västergatan 215
821 61 Arbrå
SWEDEN
☎ +46 278 642500
✉ info@bruks.com



Visit our website:
BRUKS-SIWERTELL.COM